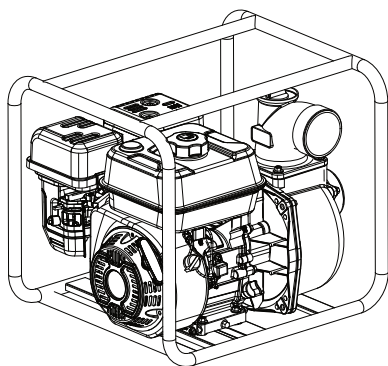


OPERATIONAL MANUAL

**PLEASE READ THIS BOOKLET CAREFULLY.
THE BOOKLET CONTAINS IMPORTANT SAFETY
INFORMATION.**

www.kamabyreis.com



GASOLINE WATERPUMP

KGL15HP

KGL20HP

KGL30HP

HGP30

KGL20P

KGL30P

PREFACE

Thank you for choosing a water pump of our company.

Please keep the owner's manual for reference.

This manual should be considered a permanent part of the water pump and should remain with the water pump if it is resold.

The manual instructs the user how to operate the water pump including the models, and be sure to read it carefully first before operation to get the best results. If a problem should arise or if you have any questions about the pump, consult an authorized dealer of our company.

All information and diagrams of this manual are provided in accordance with the newest products at the publishing time. If revision or any other change is made in respect of the information described in this manual, making it a little different from the product's actual status, our company will explain it. Our company reserves the right to make changes at any time without notice and without incurring any obligation. No part of this publication may be reproduced without written permission of our company.

CONTENTS

1. SAFETY	3
2. COMPONENT IDENTIFICATION	6
3. CONTROL SYSTEM.....	7
4. PRE-OPERATION INSPECTION	10
5. OPERATION	15
6. STARTING THE ENGINE.....	19
7. STOPPING THE ENGINE.....	21
8. MAINTENANCE	22
9. STORAGE	27
10. TROUBLESHOOTING	29
11. ELECTRIC DIAGRAM	31
12. SPECIFICATION	32


1. SAFETY

Our company's water pump is designed to give safe and reliable service if operated according to instructions. Read and understand the Owner's Manual before operating the water pump. Failure to do so could result in personal injury or equipment damage.

Safety Messages

Your safety and the safety of others are very important. We have provided important safety messages in this manual and on water pump and engine. Please read these messages carefully.

Safety label - on the water pump and engine.

A safety message - alerts you to potential hazards that could hurt you or others. Each safety message is preceded by a safety alert symbol  and one of three words: WARNING, CAUTION, or NOTICE. These mean:

WARNING

You CAN be KILLED or SERIOUSLY HURT if you don't follow instructions.

CAUTION

You CAN be HURT if you don't follow instructions.

NOTICE

Your water pump or other property could be damaged if you don't follow instructions.

1) Safety Instruction

Clean water pump and high pressure pump are only designed for pumping clean water.

Sewage pump has the ability of transmitting soft solids within the diameter of 25.4mm

Chemical pumps is used for transmission of weak acid and base (PH4-11), high ignition temperature liquid and sea water.

Mud pump is suitable for pumping dirt water with up to 50% solid sewerage, Capacity up to diameter of 25.4mm.

To prevent fire hazards and to provide adequate ventilation, keep the pump at least 1 meter away from each of the building walls and other equipment during operation. Do not place flammable objects close to the pump and do not fill the fuel tank with gasoline before long distance transportation.

The muffler becomes very hot during operation and remains hot for a while after stopping the engine. Be careful not to touch the muffler while it is hot. Let the engine cool before storing the water pump indoors.

Gasoline is highly flammable and explosive. Don't smoke in the refueling and fuel storage area.

Place the pump on a firm, level surface. If the pump is tilted or overturned, fuel spillage may result.

Refuel in a well-ventilated area with the engine stopped, and in places for refueling or storing gasoline. If spilling occurs, immediately clean it. After refueling, cover the fuel tank well and screw it down.

Exhaust contains poisonous carbon monoxide gas that can build up to dangerous levels in closed areas. Breathing carbon monoxide can cause unconsciousness or death.

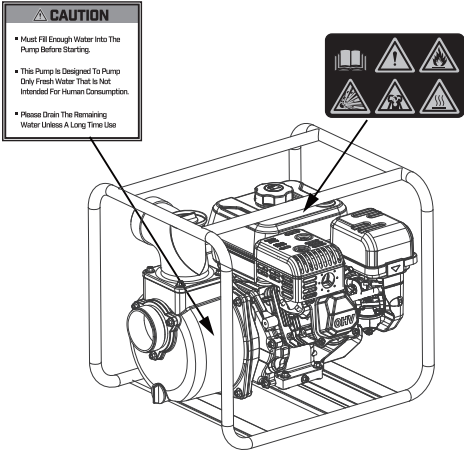
Don't screw off the plug while the engine is running to avoid damaging

the equipment and hurting the persons.

Children and pets must be kept away from the area of operation due to a possibility of burns from the hot engine components.

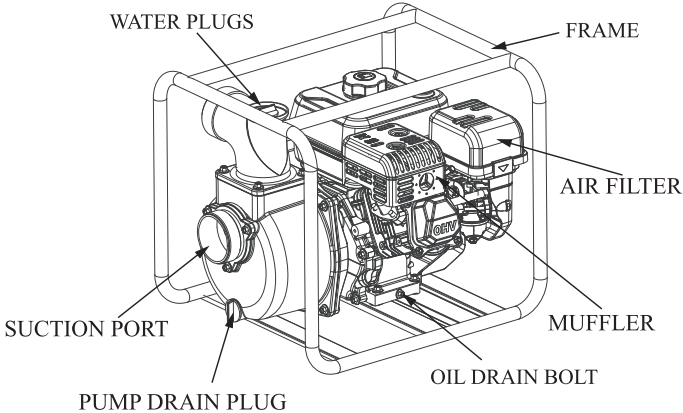
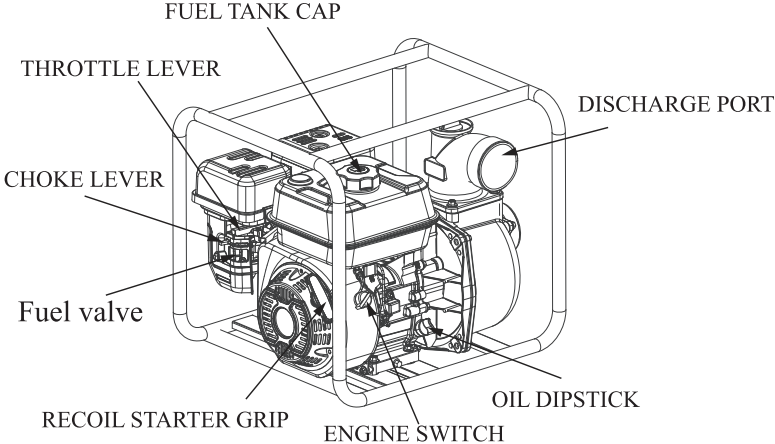
The machine is forbidden to be operated in a potentially explosive atmosphere.

2) Safety Label



2. COMPONENT IDENTIFICATION

CLEAN WATER PUMP



3. CONTROL SYSTEM

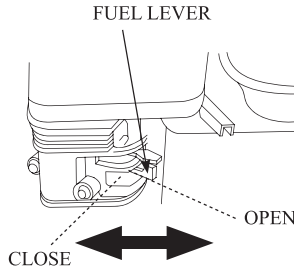
Before operating our company's water pump, carefully read and understand the owner's manual and be familiar with each control function. Know how to operate and how to do in a urgency condition.

1) Fuel Lever

The fuel lever is used for fuel flowing from the fuel tank to carburetor.

Set the fuel lever to the “OPEN” position.

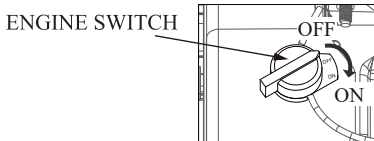
When not operating the engine, set the fuel lever to the “CLOSE” position.



2) Engine Switch

The engine switch is used for opening or closing ignition circuit :

Set the engine switch to the “OPEN” position to run the engine, and set it to the “CLOSE” position to stop the engine.

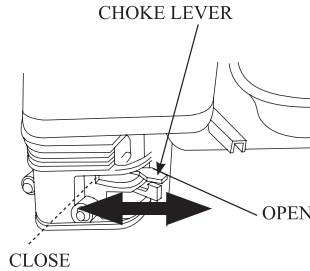


3) Choke Lever

The choke lever is used for opening and closing the choke of the carburetor.

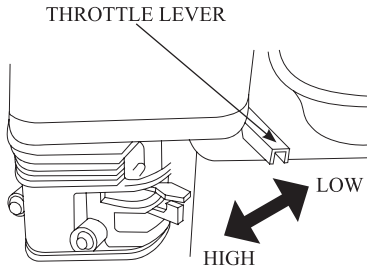
Set the choke lever to the “CLOSE” position for cold starting.

Set the choke lever to the “OPEN” position for normal operation or the Engine's warm starting.



4) Throttle Lever

Adjust the throttle lever to change speed of the engine, thereby adjust the discharge water. For a bigger water discharge, set the throttle lever to the HIGH position, for a smaller water discharge, set the throttle lever to the LOW position.



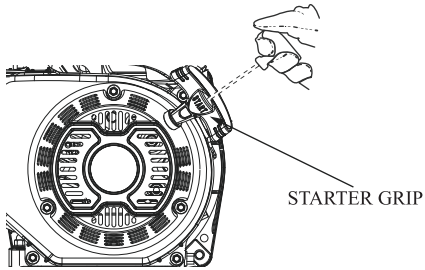
5) Recoil Starter

Pull the recoil starter to start the engine.

NOTICE

Don't allow the starter grip to snap back against the engine. Return it gently to prevent damage to the starter

Starter assy style may choose



4. PRE-OPERATION INSPECTION

For your safety and to maximize the service life of your equipment, it is very important to take a few moments before you operate the pump to check its condition. Be sure to take care of any problem you find or have your servicing dealer correct it, before you operate the pump.



Improperly maintaining this pump or failing to correct problems before operation could cause a malfunction in which you could be seriously injured.

Exhaust gas contains poisonous carbon monoxide. Avoid inhalation of exhaust gas. Never run the engine in a closed garage or an enclosed area. To prevent fire hazards, keep the pump at least 1m away from each of the building walls and other equipment during operation. Do not place flammable objects close to the engine.

Before beginning your pre-operation checks, be sure the pump is on a level surface and the ignition switch is in the OFF position.

1) Routine Check

Look around and underneath the pump for signs of oil or gasoline leaks. Remove any excessive dirt or debris, especially from around the engine muffler and recoil starter.

Look for signs of damage.

Check to confirm that all nuts, bolts, screws, hose connectors and clamps are tightened.

2) Check The Suction And Discharge Hoses

Check the general condition of the hoses. Be sure the hoses are in serviceable condition before connecting them to the pump. Remember that the suction hose must be of a reinforced construction to prevent hose collapse.

Check to ensure that the sealing washer in the suction hose connector is in a good condition.

Check to ensure that the hose connectors and clamps are securely installed.

Check to ensure that the strainer is in a good condition and is installed on the suction hose.

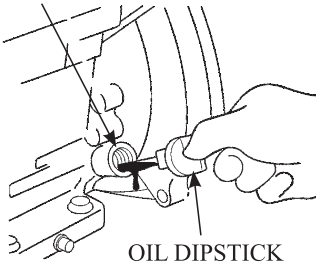
3) Check Engine Oil

NOTICE

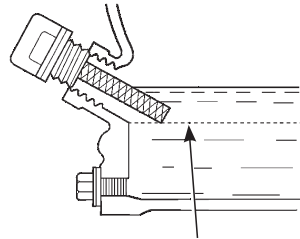
Put the engine on a level place and check the engine oil.

- 1) Remove the oil filler cap and wipe the dipstick clean.
- 2) Check the oil level by inserting the dipstick into the filler neck without screwing it in.
- 3) If the level is low, add the recommended oil to the upper mark on the dipstick.
- 4) After adding, don't forget to refit and screw down the oil dipstick.

OILING HOLE



OIL DIPSTICK



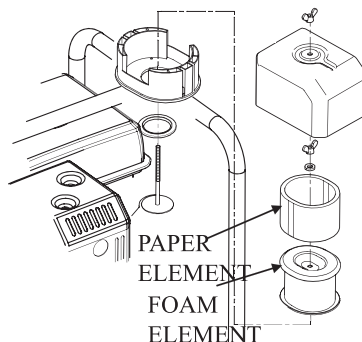
OIL LOWER MARK

NOTICE

Engine operating with oil at the lower oil mark will cause engine damage.

4) Check Air Filter

A dirty air filter will restrict air flow to the carburetor, reduce engine performance and thereby reduce water Pump performance. So, often check the air filter.



Screw off butterfly nut and remove air filter housing, If the element is

dirt, clean it, if it is damaged, replace with a new one. If it is an oil bath air filter, Check the oil capacity.

Reinstall the air filter back in reverse order and screw the butterfly nut down.

NOTICE

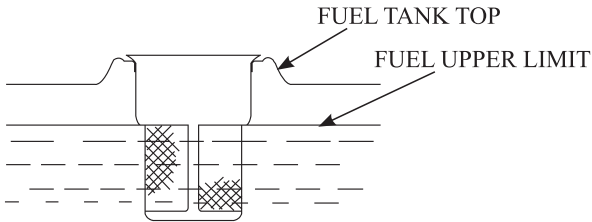
Assembly should be correct, Never run the water pump without the air filter or with a damaged air filter assembled, if so, rapid engine wear will result.

5) Check The Fuel

Before each operation, check the engine oil level with the water pump stopped on a level ground. Screw off the fuel tank cap and check the fuel level. If the level is too low, add fuel, screw on the fuel tank cap and tighten it after refueling.

NOTICE

Don't add the fuel over the fuel strainer shoulder(maximum level).



Refuel in a well-ventilated area. If the engine has run for a while, it has to be cooled before being refueled.

NOTICE

Fuel can damage paint and plastic. Be careful not to spill fuel when filling your fuel tank.

6) Fuel Recommendations

Use gasoline with octane rating ≥ 90 .

We recommend unleaded gasoline because it produces fewer engine deposit and spark plug deposit and extends exhaust system's life.

Never use stale or contaminated gasoline or oil/gasoline mixture. Avoid getting dirt or water in the fuel tank.

5. OPERATION

1) Safe Operating Precautions

To safely utilize the full potential of this pump, you need a complete understanding of its operation and a certain amount of practice with its controls.

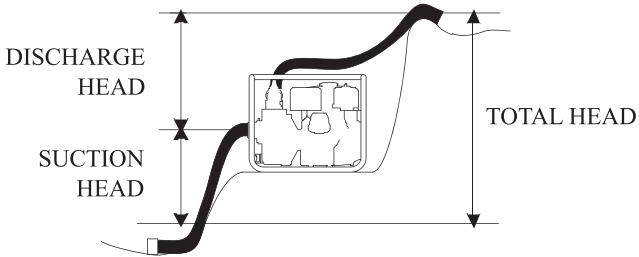
Before operating the pump for the first time, please review the "Safety Instruction" (refer to page 4) and the "PRE-OPERATION INSPECTION".

Exhaust contains poisonous carbon monoxide gas that can build up to dangerous levels in closed areas. Breathing carbon monoxide can cause unconsciousness or death.

2) Pump Placement

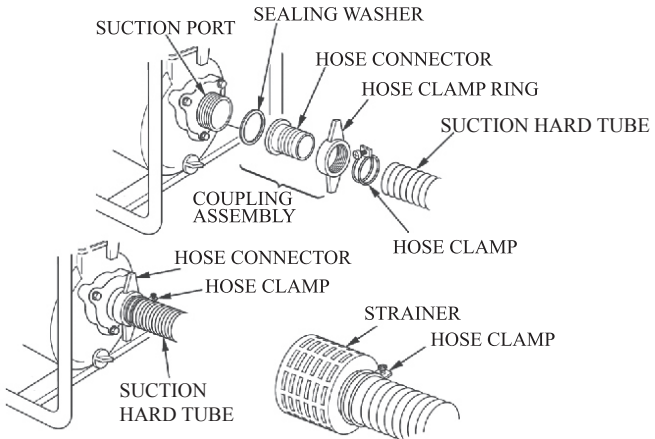
For best pump performance, place the pump near the water level, and use hoses that are no longer than necessary. That will enable the pump to produce the greatest output with the least self-priming time.

As head increases, pump output decreases, The length, type and size of the suction and discharge hoses can also significantly affect pump output. Minimizing suction head (placing the pump near the water level) is also very important for reducing self-priming time.



3) Suction Hose Installation

Use the commercially available hose and hose connector, and the hard tube clamp provided with the pump to install the suction, and tighten the clamp. Firmly fix the suction hose without moving.



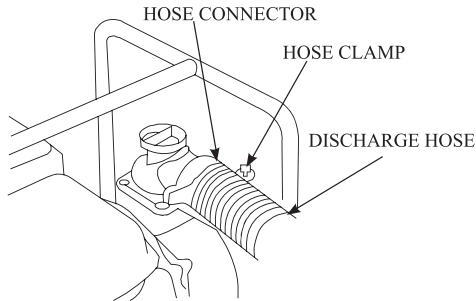
Hard tube dimension should be longer than water suction port dimension

Use a hose clamp to securely fasten the hose connector to the suction in order to prevent air and water leakage. Check to ensure that the hose connector sealing washer is in a good condition.

Install the strainer (provided with the pump) on the other end of the suction hose and secure it with a hose clamp. The strainer will help prevent the pump from becoming clogged or damaged by debris.

4) Discharge Hose Installation

Use the commercially available hose and hose connector, and the hose clamp provided with the pump to install the discharge, and tighten the clamp. Firmly fix the discharge hose without moving.



It is best to use a short, large-diameter hose, because that will reduce fluid friction and improve pump's output.

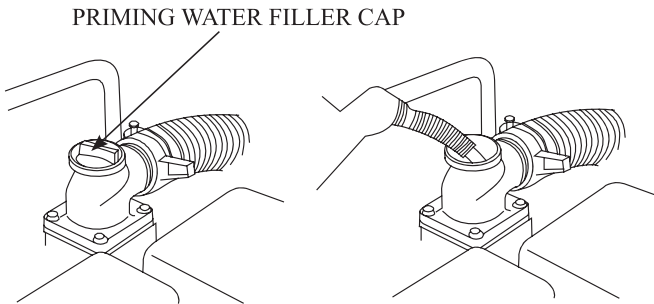
Tighten the hose clamp securely to prevent the discharge hose from disconnecting under a high pressure.

5) Priming The Pump

Before starting the engine, make sure to fill the pump with water: screw off the priming plug and prime the pump fully with clean water. Don't screw off the priming plug during operation of the pump to avoid damaging the equipment and injuring persons. Reinstall the priming plug and tighten it securely after priming.

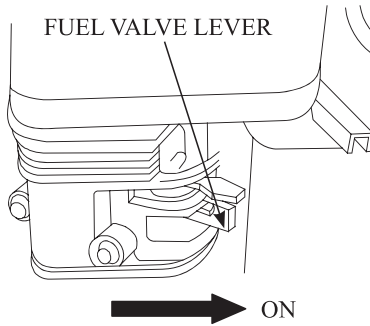
NOTICE

Dry operating of the pump will destroy the pump seal. If the pump has been operated in a dry state, stop the engine immediately and allow the pump to cool before being primed.

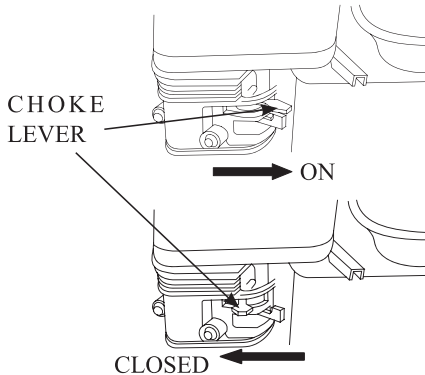


6. STARTING THE ENGINE

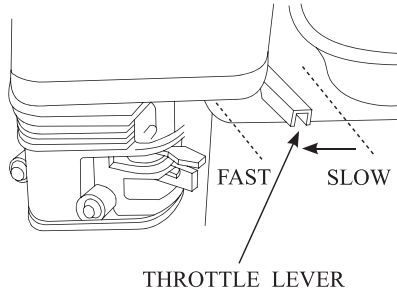
- 1) Screw the priming plug off and prime the pump with water until the water is overflowing (water pump set shall be placed on a level ground).
- 2) Move the fuel valve lever to the “ON” position.



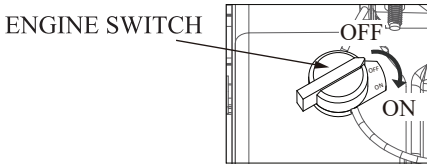
- 3) To start a cold engine, move the choke lever to the “CLOSED” position.



4) Move the throttle lever away from the “SLOW” position about 1/3 of the way toward the “FAST” position.



5) Turn the engine switch to the “ON” position.



6) Pull the starter grip lightly until resistance is felt, then pull it briskly.

NOTICE

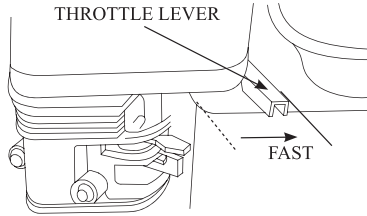
Do not allow the starter grip to snap back against the engine. Return it gently to prevent damage to the starter.

7. STOPPING THE ENGINE

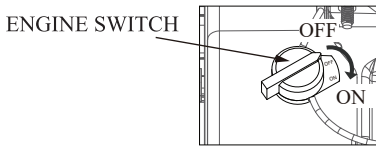
To stop the engine in an emergency, simply turn the engine switch to the OFF position.

Under normal conditions, use the following procedure:

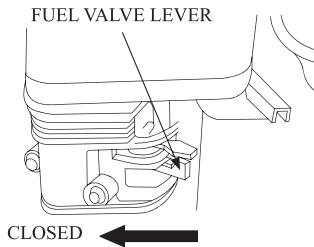
- 1) Move the throttle lever to the SLOW position.



- 2) Turn off engine switch: Turn the engine switch to OFF position.



- 3).Turn fuel valve lever off: Turn the fuel valve lever to OFF position.



After use, remove the pump drain plug and drain the pump chamber. Remove the filler cap and flush the pump chamber with clean, fresh water. Allow the water to drain from the pump chamber, then reinstall the filler cap and drain plug.

8. MAINTENANCE

The engine must be properly maintained to ensure its operation be safe, economy and trouble-free, as well as eco-friendly.

In order to keep your gasoline engine in good working condition, it must be periodically serviced. The following maintenance schedule and routine inspection procedures must be carefully followed

Items		Frequency	Each time	First 1 month or first 20hrs of operation	Thereafter, every 3 months or every 50hrs of operation	Every year or every 100 hrs of operation
Engine oil	Check- Refill		√			
	Replace			√	√	
Reduction gear oil(if equipped)	Oil level check		√			
	Replace			√	√	
Air filter element	Check		√			
	Clean			√		
	Replace				√	
Deposit Cup(if equipped)	Clean					√
Spark Plug	Check - adjust					√*
Spark arrester	Clean				√	
Idling (if equipped)**	Check - adjust					√
Valve clearance **	Check-adjust					√
Fuel tank & fuel filter **	Clean					√
Fuel line	Check	Every 2 years(change if necessary)				
Cylinder head, piston	Clean up carbon **	$< 225\text{cc,}$ Every 125hrs $\geq 225\text{cc,}$ Every 250hrs				

* These items should be replaced if replacement needed.
 ** These items should be maintained and repaired by our authorized dealer, unless the owner has appropriate tools and is proficient with mechanical maintenance.

NOTICE

- If the gasoline engine frequently work under high temperature or heavy load, change the oil every 25 hours.
- If the engine frequently work under dusty or other severe circumstances, clean the air filter element every 10 hours; If necessary, change the air filter element every 25 hours.
- The maintenance period and the exact time (hour), the one which comes first

should govern.

- If you have missed the scheduled time to maintain your engine, do it as soon as possible.



Stop the engine before servicing. Put the engine on a level surface and remove the spark plug cap to prevent the engine from starting. Never run your engine in a poorly ventilated room or other enclosed area, be sure to keep good ventilation in working area. The exhaust from the engine may contain poisonous CO, inhalation can cause shock, unconsciousness and even death.

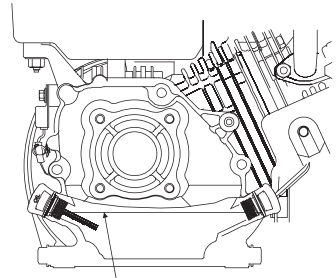
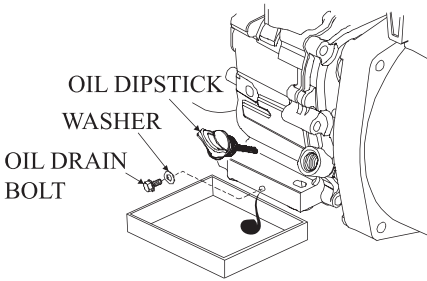
2) Engine oil change

Drain the used oil while the engine is warm. Warm oil drains quickly and completely.

1. Place a suitable container below the engine to catch the used oil, then remove the oil filler cap/dipstick and the drain plug.
2. Allow the used oil to drain completely, then reinstall the drain plug, and tighten it securely.

Please dispose of used motor oil in a manner that is unharmed to with the environment. We suggest you take used oil in a sealed container to your local recycling center or service station for reclamation. Do not throw it in the trash, pour it in the ground, or down into a drain.

3. With the engine on a level place, fill it to the upper limit with the recommended oil.



UPPER MARK

4. Reinstall the oil dipstick and tighten it.

⚠ CAUTION

Used engine oil may cause skin cancer if repeatedly left in contact with the skin for prolonged periods. Although this is unlikely unless you handle used oil on a daily basis, it is still advisable to thoroughly wash your hands with soap and water as soon as possible after handling used oil.

3) Engine oil recommendations

Engine oil is a major factor affecting engine performance and service life. Non-detergent and 2-stroke engine oils will damage the engine and are not recommended.

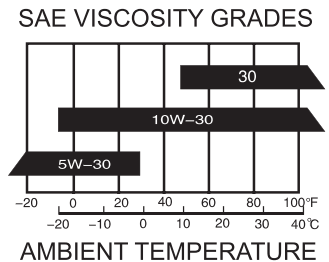
Recommended oil

4-stroke gasoline oil

SE, SF grades under API service

Classification or SAE10W-30 that is equivalent SG grade. Of course, you can select according to local temperature.

The recommended operating range of this pump: -5°C to 40°C.



4) Air Filter Service

A dirty air filter element will restrict air flow to the carburetor, reducing engine performance, if you operate the pump in very dusty areas, clean the air filter more frequently than specified in the maintenance schedule.

NOTICE

Never run the engine without the air filter or use a damaged air filter. If so, rapid engine wear will result.

Screw off the butterfly nut down and remove the housing. Screw off the other butterfly nut and remove the element.

1. Wash the element with home detergents and warm water (or non-flammable or high flash-point cleansing solvents) and dry it up.
2. Soak it in clean engine oil until it is saturated. Squeeze out excess oil.
3. Clean the lower body of the air filter, housing, and rubber cushion. Prevent dusts from entering into the air path of the carburetor.
4. Reinstall air filter and screw on the butterfly nut.

5) Spark Plug Service

Recommended spark plugs: NGK BP6ES or other equivalents.

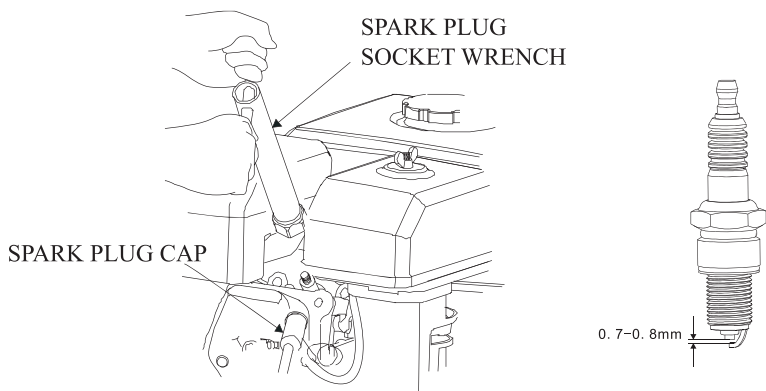
NOTICE

Wrong model can result in engine damage.

1. Remove the spark plug cap, and clean any dirt from around the spark plug base.
2. Use the plug wrench to remove the spark plug.
3. Measure the plug gap with a feeler gauge. If the electrode or insulator

is damaged, replace the spark plug.

Correct as necessary by carefully bending the side electrode. The gap should be: 0.70-0.80 mm.



4. Check if the spark plug gasket is in good condition. In order to avoid damage to the thread in the cylinder head, screw in the spark plug carefully by hand.
5. Once the spark plug has touched the washer, screw it down by a spark plug wrench and compress the washer.
 - If a new spark plug is used, make 1/2 turn more after compressing the gasket.
 - If reinstalling the used spark plug, just make 1/8-1/4 turn more.
6. Install the spark plug cap.

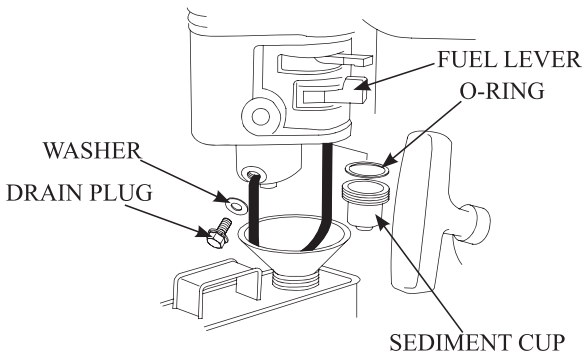
9. STORAGE

- 1) Remove priming plug and drain plug, flush the chamber with clean water, reinstall the priming plug and drain plug. After stopping the engine, cool for half an hour at least, then flush all outer surfaces and wipe it.

NOTICE

Higher pressure flushing water can enter into the air filter and muffler, even entering into the cylinder along the air path, resulting in corrosion and damage. So, operation must be performed only after stopping and cooling.

- 2) Remove drain plug of the carburetor and sediment cup, then open the fuel lever. Completely drain the fuel from the carburetor and fuel tank, then install the sediment cup and drain plug back and tighten them.



- 3) Change the engine oil.
- 4) Pour a tablespoon (5-10 cc) of clean engine oil into the cylinder. Crank the engine several revolutions to distribute oil in the cylinder. Reinstall the spark plug back.

-
- 5) Pull the starter grip slowly until resistance is felt. During such a process, intake and exhaust valves keep closed to restrict the moisture entering into cylinder head, then, return the starter grip gently.
 - 6) Repair damaged enamel paint, and apply a thin film of grease to the areas likely to be rusty.
 - 7) Cover a dust-proof sleeve on the water pump and place it in the ventilated area.

10. TROUBLESHOOTING

1) Engine

ENGINE WILL NOT START	CAUSE	CORRECTION
Check Control Parts	Fuel valve OFF.	Move fuel valve lever to ON position.
	Choke open.	Move choke lever to CLOSED position unless engine is warm.
	Engine switch OFF.	Turn engine switch to ON.
Check Fuel	Out of fuel.	Refuel.
	Bad fuel, pump stored without treating or draining gasoline or refueling with bad gasoline.	Drain fuel tank and carburetor, refuel with fresh gasoline.
Remove And Inspect Spark Plug	Spark plug faulty fouled or improperly gapped.	Adjust gap or replace with a new spark Plug
	Spark plug wet with fuel(flooded engine).	Dry and reinstall spark plug, start engine with throttle lever in FAST position.
Contact Our Company's Authorized Dealer For Servicing	Fuel filter clogged, carburetor malfunction, ignition malfunction, valves stuck, etc.	Replace or repair.

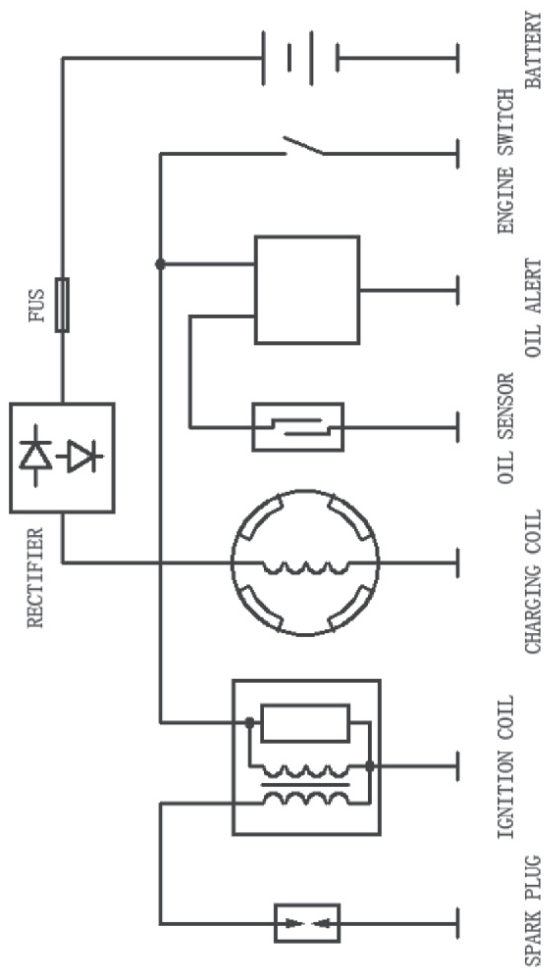
ENGINE LACKS POWER	CAUSE	CORRECTON
Check Air Filter Element	Element clogged.	Clean or replace the element.
Check Fuel	Bad fuel.	Drain fuel tank and carburetor, refuel with fresh gasoline.
Contact Our Company's Authorized Dealer For Servicing	Fuel filter clogged, carburetor malfunction, ignition malfunction, valves stuck, etc.	Replace or repair.

2) Water pump

NO PUMP OUTPUT	CAUSE	CORRECTION
Check pump chamber	Pump not primed.	Prime pump.
Check suction hose	Hose collapsed, cut or punctured.	Replace hose.
	Strainer not completely underwater.	Sink the strainer and the end of a suction hose completely underwater.
	Air leak at connector.	Replace sealing washer if it is missing or damaged. Tighten hose connector and clamp.
	Strainer clogged.	Clean debris from strainer.
Measure suction and discharge head	Excessive head.	Relocate pump and hoses to reduce head.
Check engine	Engine lacks power.	See “engine lacks power”

LOW PUMP OUTPUT	CAUSE	CORRECTION
Check Suction Hose	Hose collapsed, cut or damaged, too long, or diameter too small.	Replace hose.
	Strainer not completely underwater.	Sink the strainer and the end of a suction hose completely underwater.
	Air leak at connector.	Replace sealing washer if it is missing or damaged. Tighten hose connector and clamp.
Check Discharge Hose	Hose damaged, too long, or diameter too small.	Replace discharge hose.
Measure Suction And Discharge Head	Critical head.	Relocate pump and hoses to reduce head.
Check Engine	Engine lacks power.	See “engine lacks power”

11. ELECTRIC DIAGRAM



12. SPECIFICATION

		Clean water pump			High pressure pump		
ITEM	MODEL	HGP30	KGL20P	KGL30P	KGL15HP	KGL20HP	KGL30HP
Water Pump	Length (mm)	575	450	510	490	490	610
	Width (mm)	450	375	375	400	400	520
	Height (mm)	565	375	435	422	422	335
	Suction Port Diameter	3"	2"	3"	1,5"	2"	3"
	Discharge Port Diameter	3"	2"	"	1,5"	2"	3"
	Suction Head (maximum) (m)	7	8	8	8	8	8
	Total Head (maximum)(m)	24	25	25	75	75	65
	Discharge Capacity (maximum) (m ³ /h)	58	30	50	15	20	40
Engine	Type	Air-cooled, 4-Stroke, OHV single cylinder,EPA approval			Air-cooled, 4-Stroke, OHV single cylinder,EPA approval		
	Power (HP/3600rpm)	5,5	7	7	7	7	10
	Fuel Tank Capacity (L)	3,6	3,6	3,6	3,6	3,6	6,0
	Engine Oil Capacity(L)	0.6	0,6	0,6	0.6	0,6	0,6

TECHNICAL SERVICES LIST

ADANA

SİSTEM ENERJİ İSMAIL TOPÇULARDAN
CUMHURİYET MAH. 759 SOK. NO:12/A
YUREĞİR 0322 324 55 83

SUBE

4000 KARAYOLU İNÇİRLİK BULV.
YEDSAN KARŞIYAKA İŞ MERK.BLOK NO:3
SARICAAM 0532 594 73 85

ÖZİŞLİK ELEK. - ACK MEKANİK
KARASOKU MH.28010 SK. N:4/1
SEYHAN TEL: 0322 359 13 33

ÖZBİÇAK TİCARET

ÖMER ÖZTÜZ
ATATÜRK CAD. NO:148 CEYHAN
0322 613 28 85

ADİYAMAN

EMEK TİCARİT MAKİNA

REİS SERVİS

ABDULMUSA AKSLAN
CUMHURİYET MAH. HAYDAR EFENDİ
CAD.NO:294/A, GEMERLİ YÜZERİ
MERKEZ
TEL: 0545 402 02 21

AFYON

ÇENGELCI ÖTO FAHRI ÇENGELCI-AHMET DURAN
SANAYİ CİRGİSİ B.BLOK NO:22
0272 213 15 51

AĞRI

TAMGÜÇ İNŞ.BOB.ELEKT.TEM. İTİ.HİRC.SAN.TİC.LTD.ŞTİ
CENGİZ TOKA KAĞIZCIAM CAD.
YAVUZ MH. NO:46 TEL:0472 215 70 41

AKSARAY

KAYNAR HİRDAVAT ABÜLKADİR KAYNAR
SANAYİ MAHALLESİ 2013 SOKAK NO:1
0382 215 12 88

GARANTI MOTOR / ALİ ÖZTANBAHI
YENİ SAN.SİTESİ 2009 SK.NO:75
MERKEZ TEL: 0382 215 07 85

AMASYA

KOŞUK BOBİNAJ SAN.TİC.LTD.ŞTİ
ANIKTEPE MAH. SARAYDÜZÜ CAD.
NO:9 0358 218 71 19

ANKARA

MESE JENERATÖR SERKAN YACA
S.SOK.NO:1 OSTİM 0312 385 10 09

DEMİRDEN MAKİNA LTD.ŞTİ.

MURAT DEMİR
1234 SK. (EŞRİ 57 SK) NO:153 OSTİM
0 312 385 99 85

JES ELEKTRİK

HÜSEYİN TURAL
ÖZPETEK SAN.SİT.624 SOK.NO:16
OSTİM 0312 396 24 78

ANTALYA

CEMİL METİN ORMAN BAHCHE VE TARIM MAK. SAN.TİC.LTD.ŞTİ
CUMHURİYET MAH.668 SK.NO:20
MURATPAŞA ANTALYA
0242 344 22 67

KONYALI MOTORSAKLE

MUSTAFA YUCA
ÖRNEK MAH. 1522 SOK NO:6/B
MANAVGAT 0242 742 22 82

KURAL MAKİNA NURULLAH KURAL

KÜZÜRE MAH. SAN. CAD. NO:50/C 44
KEMER 0546 613 43 32

UĞUR TİCARET

ALİ RIZA UĞUR
SANAYİ CİRGİSİ KURTDERELİ CAD.
NO:44 ALANYA 0242 515 08 71

YILDIZ TEKNİK SERVİS ELEKTRİK SAN.İNS. TİC.LTD. ŞTİ.

ÖRNEK MAH.FEVLİYE PASA CAD.NO:168/1
1. MANAVGAT TEL: 0242
742 35 33

ARTVİN

KAHYAĞLI TİCARET

SİNAN YILDIRIM
SAN.MAHL:NO:4 BORÇKA
0468 415 16 09

AYDIN

SAYDAM MOTOR- MERT SAYDAM
K.SANAYİ SİT.CÜBÜKÇÜ SOK.NO:2/B
SOK:0256 512 81 91

BALIKESİR

EMEK MOTOR YILMAZ GÜNDOĞAN- RAMAZAN DAĞTEKİN
YENİ SAN SİT 8.30K NO:26 2
KAFI GİRİŞİ KARŞISI 0266 246 10 47

TEZGER BOBİNAJ / EREN TEZGER
YENİ SAN. SİTESİ CUMHURİYET CAD.
NO:189/B 266 246 23 01

MUTLU MOTOR

SEDAT MUTLU

ATATÜRK CAD.NO:257

BANDIRMA

0266 715 44 43

SARIOĞULLARI TAMİR ATÖLYESİ

İLKER SARI
YENİ SANAYİ SİTESİ NO:89 HAVRAN
0266 432 20 32

BATMAN

AKTİF BOBİNAJ / REİS SERVİS

HİKMET YAR BİLGE
YENİ MAHALLE 16.CAD. 1008 SOK.
NO:48 0488 214 56 64

BİLEÇİK

GÜNGÖR ORMAN BAHCHE ALİ OSMAN GÜNGÖR
İNOÑU CAD.YÜCEL SOK. NO:4
BOZÖYÜK 0228 314 74 56

BİNGÖL

UMİT BOBİNAJ ABDULMELİK SUNA

SEHİT MUSTAFA GÜNDOĞDU MH.
SS ESNAF TULLUÇ.KOOP.
GALERİLERİ SİTESİ NO:38
MERKEZ TEL:0544 842 58 00

BİTLİS

TARHAN MAKİNA - ERKAN TARHAN
YENİ SAN.SİTESİ MAH. CUMHURİYET CAD.
NO:396 TATVAN 0484 827 91 81

BÖLME

GÖREN TİCARET- ERDEM GÖREN
SANAYİ SİT.31.BLOK NO:2
MERKEZ/BOLU TEL: 0374 217 08 55

BURDUR

KOÇERLER TİCARET TARIM MAK. SAN.VE TİC.LTD.ŞTİ.
YENİ SAN.SİT.6.BLOK NO:32
MERKEZ 0248 252 80 66

BURSA

BİRLİK JENERATÖR NURAL ERDÖNMEZ
BÜYÜKÖTÜC TİC.MERK:109 SOK.
NO:17 YILDIRIM 0224 341 48 68

ANKASİNERJİ JENERATÖR

BURAK KARAKAYA
ELMASAĞACILAR MAH.
1. ATAN SOK. NO:8 0224 256 56 65

HEDEF JENERATÖR AHMET DURAN

İSMETLUS OSM.MAH.SİLSİLE SOK.
NO:14 GURSUJ TEL:0541 560 16 08

KOÇ MOTO / REİS SERVİS

ENGİN KOÇ
N.K.PASA MHALATATURK MAH.
NO:109/B İZNIK
0224 757 56 77

DURAK MOTOR / ÖMER DURAK

SINANBEY MAH. BAHCERLER SOK.
NO:27 İNEGÖL 0224 713 78 30

ÇANKAĞALE KARDEŞLER ÖNYEDİ MOTOR

CEMİL AŞLAN
İSMETPAŞA MAH.KABATPE SOK.
NO:5 MERKEZ 0286 217 33 60

ADAKALE BOBİNAJ FATİH ERDOĞAN

BARBAROS MAH. REŞAT TABAK SK.
NO:1 C MERKEZ
TEL:0506 363 49 10

SAHİN BOBİNAJ HASAN SAHİN

İSTİKLAL CAD. NO:154 BIGA
TEL:0286 316 11 71

ÇANKIRI

YILMAZ ÖTO/ YILMAZ BAYKIN
A.H.R MAH.KUÇUK SANAYİ SİTESİ
A.ERKEL ELEKTRİKÇİLER SOK
NO:25 MERKEZ
0376 218 13 67

ÇORUM

ÖZKAN BOBİNAJ ÖZKAN SÖYLEYEN
GULABEY MAH. KUBBELİ CAD.
NO:77 0364 224 75 97

DÜKKAN TARIMSAK MAKİNA BAKIM ONARIM SERVİSİ

MAHMUT CAN
CEPNI MAH. YENİ SANAYİ 4.SOK.
NO:26 0544 313 17 47

NUH GÖKİRMAK

YENİ SANAYİ SİT.C BLOK NO:14
KARĞI 0364 651 21 54

DENİZLİ

YORUKOĞLU MOTOR SÜLEYMAN KAYGIN

2.SANAYİ İZMİR ASFALTI ÜZERİ
NO:161 0258 371 04 00

DIYARBAKIR AKTİF MOTOR - MURAT İÇEN

2.SAN. SİT. C 1.BLOK NO:15
0412 237 03 45

BGB ENERJİ - BÜNYAMİN GÖRÜZ

FIRAT MAH. 536. SK. HEVAL SİTESİ
NO:16 AF-İ. SAN. SİTESİ YANI
0535 804 42 59

DÜZCE MOTOR MEKANİK BOBİNAJ ZAFER UNAL

ESKİ SANAYİ CİRGİSİ TAHRİ
ALTIN SOK NO:27 0380 523 87 03

ÖZDOĞANLAR GÜÇ VE ENERJİ SİS-TEMLERİ SANAYİ TİC. LTD. ŞTİ.

FATİH DOĞAN
HAMİDİYE MAH. D-100 KARAYOLU CAD.
CAD. 316/2A 0380 524 90 43

EDİRNE EĞİLMEZ DİZEL ÖTO TAM. K.MUSTAFA EĞİLMEZ

SANATKARLAR SAN SİTİD BLOK
NO:14 KESAN 0284 714 33 77

USMAK MAKİNA İSPAT CAMI MAH. HAYRİ BEY SK.

NO: 11 0284 714 23 52

ELAZIĞ ÖRNEK ÖTO ZYAEDDİN SANAC

SANAYİ SİT. 10. SOK. NO:4 MERKEZ
0424 224 38 36

ÖZTÜRK ELK BOBİNAJ ADEM ÖZTÜRK SAN. MAH SAN. CAD NO 80A

ELAZIĞ TEL: 0536 985 70 39

FATİH BULUT FATİH TEKNİK

SANAYİ MAH.6.SOK.NO:31 MERKEZ
TEL:0533 2232279

ERZİNCAN BAKIRIOĞLU ELEKTRİK HARUN SUDAŞ

KARAĞAÇ MAH.İSMEERBANK CD.
N:18/4 0446 224 42 19

ERZURUM TEKNİK MAKİNA BOBİNAJ MÜKREMMİN SEVİNDİ

SANAYİ CİRGİLERİ SİTESİ 1.BLOK
NO:46 0442 243 17 34

ESKİŞEHİR İKİLER HİRDAVAT ZİRÂİ ALETLERİ TARIM HAYVANCIKLK İNŞ. SAN. VE TİC. LTD. ŞTİ.

KURTULUŞ MAH. ASARCIKLI CD.
HİLMİ USTA PAŞAJI N:78/21
TEPEBAŞI 0541 262 63 36

GAZİANTEP ATILIM BOBİNAJ JENERATÖR HALİL YILMAZ

SAHİBNEY SAN SİT.MAVİKENT
MAH.135025 SOK.NO:15/A
AKKENT SAHİBNEY
0342 221 21 26

AFRİN BOBİNAJ MEHMET AFRİN

İSMETPAŞA MAH. İLK BELE-
DİYE BAŞKANI CAD. NO:8/B
TEL:0342 232 69 61

KARTAL MOTOR / SELÇUK KARTAL

KURTULLUŞ MAH. OCAK SK.NO:26
SAHİBNEY 0342 232 66 96

SAFAK MOTİF / HASAN ŞİMŞEK

SANAYİ SİTESİ 2.CAD. NO:43/A NİZİP
0342 513 04 43

GİRESUN TAŞ MAKİNA

ALPASLAN CAD. ÇİLESESİ PASAJI
NO:1-P-8 0454 214 07 35

ZİRAATÇI MEHMET ÇAĞILAN TARIM

ACISU CAD. SÜMBÜL SOK. NO:10/A
BULANCAK 0454 314 18 62-0454 318 21 28

HATAY DİKTAS HİRDAVAT MEHMET SAİT DİKTAS

YENİ SANAYİ SİTESİ 893 SK. NO: 4/A
KIRKCIHAN 0326 344 51 93

KAYNAK MOTOR CUMA MERT KAYNAK

CUMHURİYET MAH. İNGİLİZ OKULU
CAD.NO:10 0326 513 01 10

PAK İŞ ELEKTRİK / MUZZAFER PAK

HARAPARASI MAH.2.CAD.NO:7
ANTAKYA
0326 215 64 73-0326 221 15 45

ŞUBE :

YENİ SANAYİ SİTESİ 6.İNİŞ 4. CAD.
GÜZELBURĞ SİT.10 ANTAKYA
0326 215 64 73

ERĞÜL TİCARET / EKREM ERĞÜL

PINARBAŞI MAH.326 SOK.NO:29
0326 612 09 77
İSKENDERUN

İSPARTA AVCU MOTOR - EYÜP AVCU

YENİ SAN.SİT.8.BLOK NO:25
MERKEZ 0246 500 50 40

İSTANBUL-ANADOLU AKMAN JENERATÖR / NAZİM AKMAN

ARMAĞANEVLER MAH MİTHATPAŞA
CD DERE SK NO:5 ÜMRANİYE
0216 461 30 46

BERK MAKİNA SATILMIŞ KARSLI

SOĞUKPINAR MAH.
ADNAN MENDERES CAD.NO:50.
ÇEKMEKÖY TEL: 0216 939 83 51

İSTANBUL-AVRUPA AGB JENERATÖR / BÜLENT YILMAZ

MEHMET AKİF MAH. BAHARİYE CAD.
UZAY SOK.NO:50
KİTELLİ-KÜÇÜKÇEKMECE
TEL: 0212 494 50 50

NR BHC MAKİNA TİC. VE SAN. LTD.ŞTİ.

ÖRNEK MAH.ERZURUM KONGRE CAD.
NO:11 Ç KAPLI:1 ESENYURT
0212 596 00 35

ETİK MAKİNA / HAYRETTİN ÖZKUYU

CENNET MAH.HAT BOYU YOL CAD.
NO:6/1 K.ÇEKMECE
0212 592 37 92

KALE JENERATÖR / HASAN KAYA

EVBEN 2.SAN SİT 23 BLOK NO:12
ESENYURT 0212 605 03 40

SEZON BAHCHE VE TARIM MAK. EMEKYEMEZ MAH.TERSANE CAD.

NO:122/A KARAKÖY
0212 243 20 92

KAMA *by* **REIS**

GASOLINE WATERPUMP

KGL15HP

KGL20HP

KGL30HP

HGP30

KGL20P

KGL30P



reismakina

Türkiye General Distributor

Reis Makina Tic. ve San. A.Ş.

Abdurrahmangazi Mah. Ebubekir Cad.

İmamoğlu Sok. NO:2 34887

Samandıra / Sancaktepe / İSTANBUL / TÜRKİYE

T. +90 444 73 47 (REIS)

F. +90 (216) 561 46 88

E. info@reismakina.com

W. www.reismakina.com